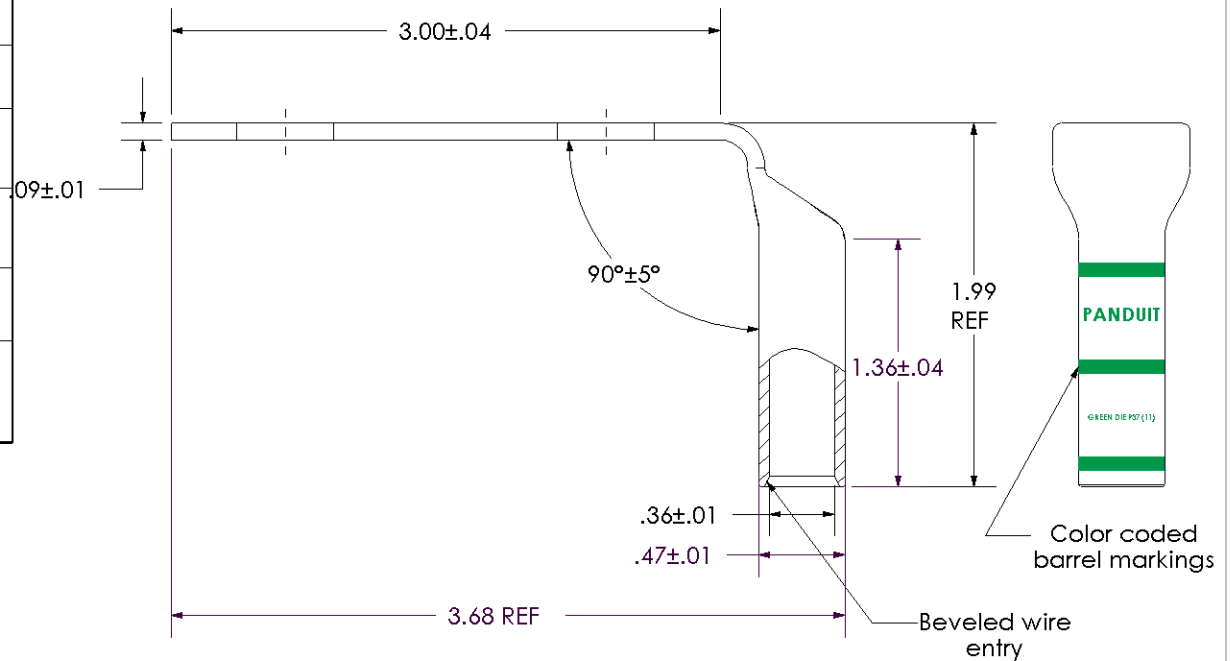
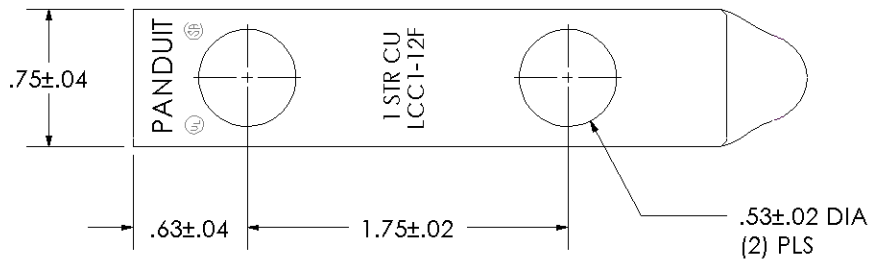


THIS COPY IS PROVIDED ON A RESTRICTED BASIS AND IS NOT TO BE USED IN ANY WAY DETRIMENTAL TO THE INTERESTS OF PANDUIT CORP.

Material	High Conductivity Seamless Copper Tube
Plating	Electro-Tin
Wire Size	1 AWG
Wire Type	Stranded Copper; Class B: Compact, Compressed or Concentric, Class C: Concentric
Wire Strip Length	1-7/16 in.
Stud Size	1/2 in.
UL Listed Wire Connector	Yes, for applications up to 35kv. Consult cable manufacturer for voltage stress relief instructions with applications greater than 2000 volts.
UL Temperature Rating	90° C
C.S.A Certified Wire Connector	Yes
Panduit Color Code on Barrel	GREEN
Panduit Die Index No. on Barrel	P37
Alternate Industry Die Index No. () on Barrel	(11)



PANDUIT CORP. TINLEY PARK, ILLINOIS

LCC1-12F-E

Copper Lug - Two-Hole, Long Barrel, 90° Angle Tongue

01	11/03	DRL	DRL
REV	DATE	BY	CHK

TONGUE WIDTH WAS .79

11257

DESCRIPTION

ECN

SCALE N/A

DRAWING NO / CAD FILE

LCC1-12F-CUST